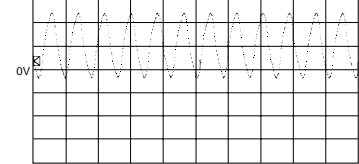
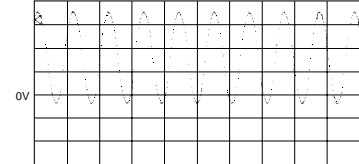


SCHEMATIC DIAGRAM (DSP)

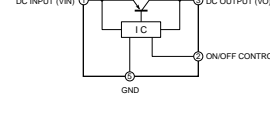
Point ① (Pin 1 of IC501)
V : 2V/div, H : 50 nsec/div
DC, 1 : 1 probe



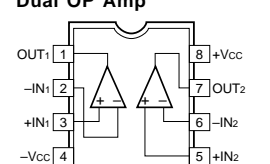
Point ② (Pin 56 of IC503)
V : 2V/div, H : 50 nsec/div
DC, 1 : 1 probe



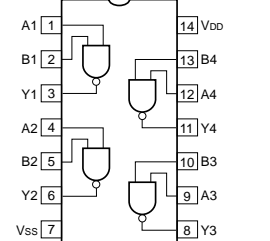
IC505 : P002SE25M2P
+2.5V Regulator



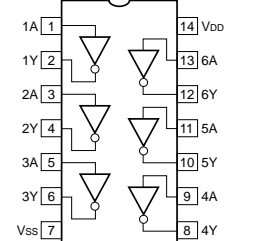
IC512, 515-519, 525-527 :
µPC4570G2
IC509 : NJM2904M-T1
Dual OP Amp



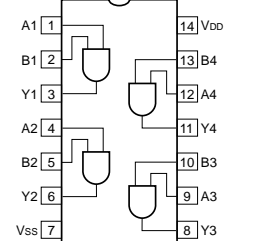
IC507, 513 : TC74HC04AF
Quad 2 Input NAND



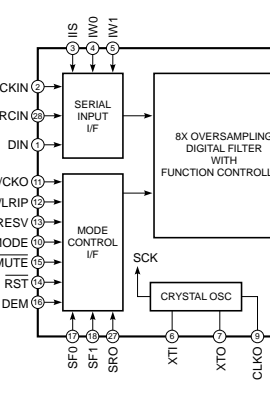
IC510, 511 : TC74HC04AF-TP1
Hex Inverters



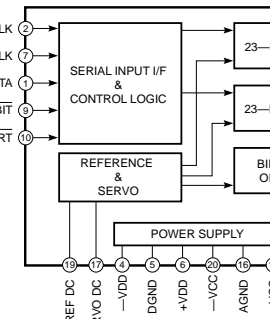
IC508 : TC74HC08AF
Quad 2 Input AND



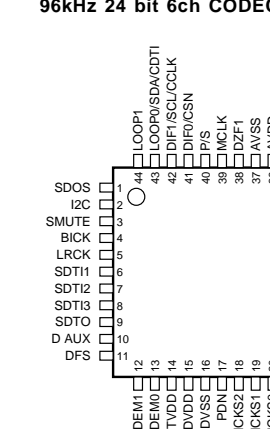
IC520, 523 : DF1704E
24 bit Digital Filter



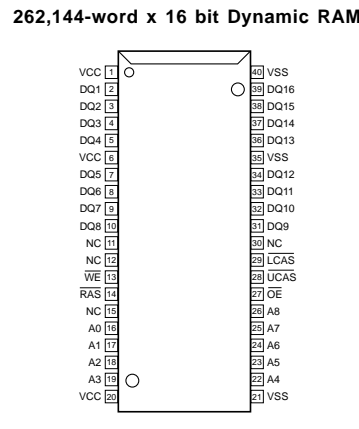
IC521, 522, 524 : PCM1704F
24 bit D/A Converter



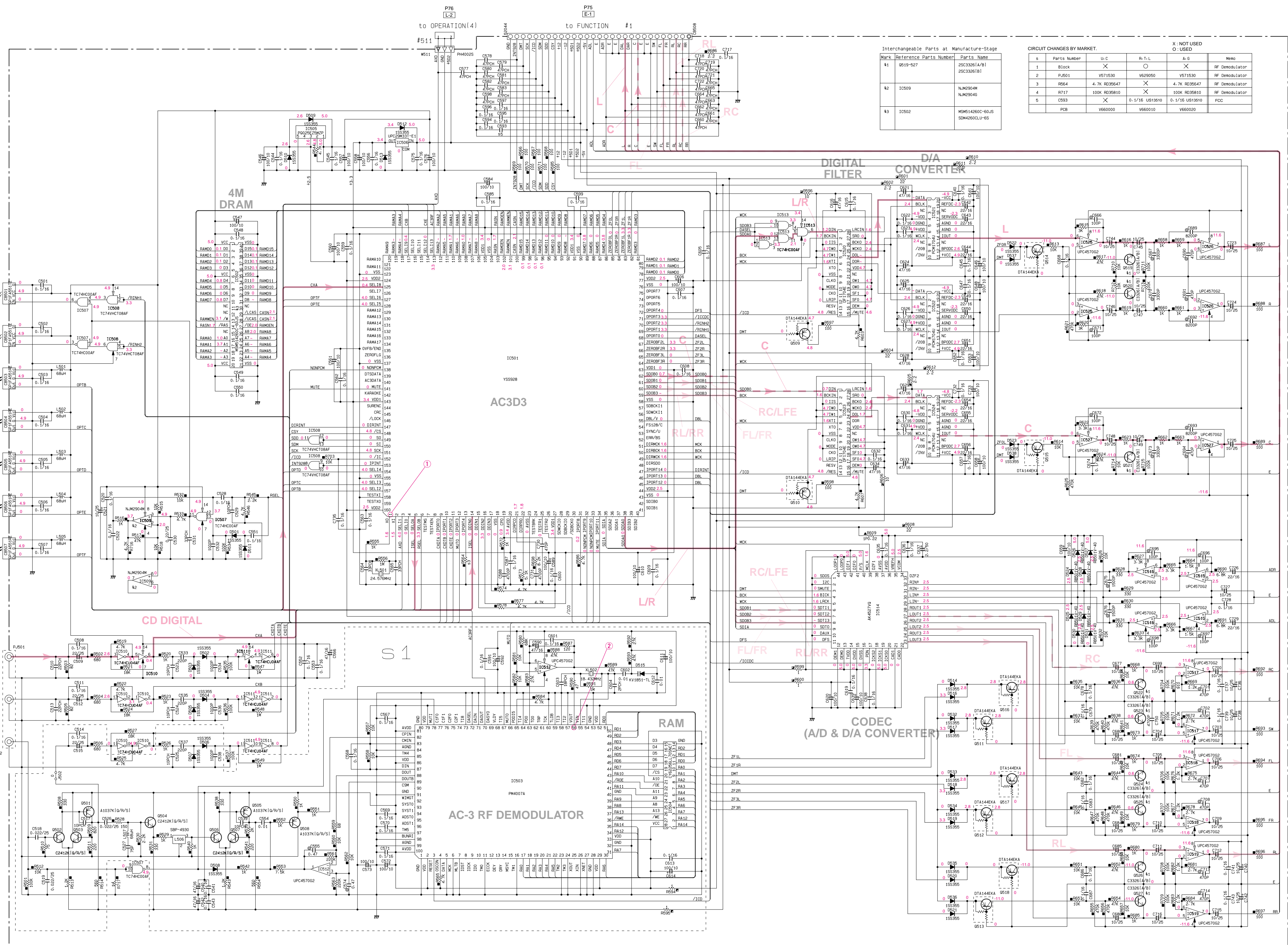
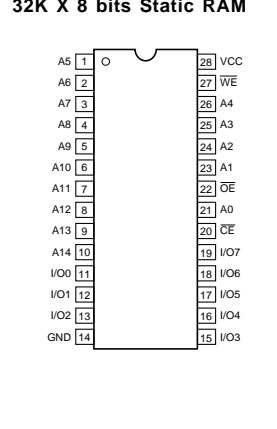
IC514 : AK4527VQ
96kHz 24 bit 6ch CODEC



IC502 : MSM514260C-60JS
262,144-word x 16 bit Dynamic RAM



IC504 : CY62256L-70SNCT
32K X 8 bits Static RAM



Interchangeable Parts at Manufacture-Stage

Mark	Reference Parts Number	Parts Name
K1	9519-927	2SC3361A/B1 2SC3361B1
K2	IC509	NJM2904M NJM2904
K3	IC502	MSM514260C-60JS SDM4860CU-65

CIRCUIT CHANGES BY MARKET

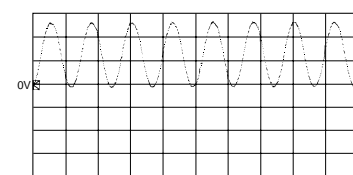
s	Parts Number	U-C	R-T-L	A-G	Memo
1	B501	X	○	X	RF Demodulator
2	F501	X	○	X	RF Demodulator
3	R564	4.7K R035647	X	4.7K R035647	RF Demodulator
4	R717	100K R035810	X	100K R035810	RF Demodulator
5	C593	X	0.1/16 UB13810	0.1/16 UB13810	FCC
	PCB	V660000	V660010		

X: NOT USED
○: USED

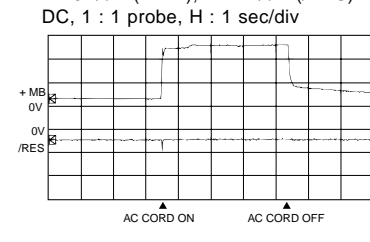
- Conditions
- INPUT: DVD auto
 - PROGRAM: PRO LOGIC DSP
 - All voltage are measured with a 10MΩ/V DC electric volt meter.
 - Components having special characteristics are marked with a triangle symbol and must be replaced with parts having specifications equal to those originally installed.
 - Schematic diagram is subject to change without notice.

SCHEMATIC DIAGRAM (FUNCTION)

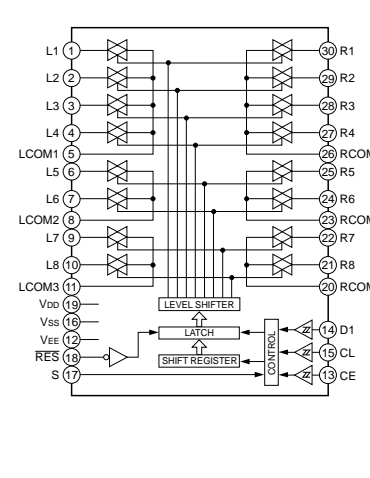
Point ③ (Pin 20 of IC26)
V: 2V/div, H: 50 nsec/div
DC, 1: 1 probe



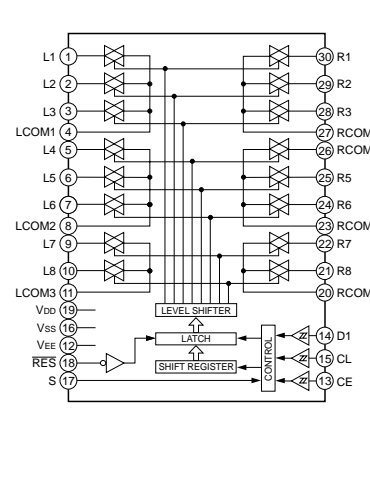
Point ④-A (+MB: Emitter of Q506)
Point ④-B (RES: Collector of Q507)
V: 5V/div (+MB), V: 1V/div (RES)
DC, 1: 1 probe, H: 1 sec/div



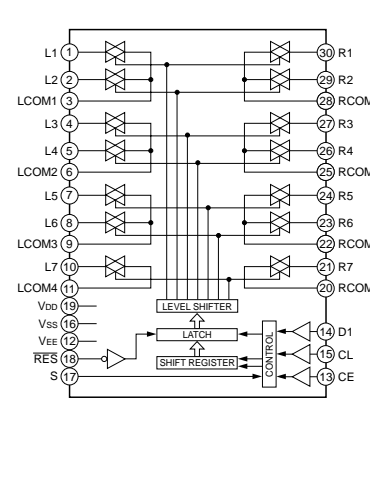
IC503, 512: LC78211 Analog Function Switch



IC502, 504: LC78212 Analog Function Switch

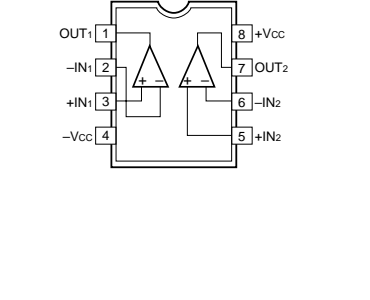


IC505, 522: LC78213 Analog Function Switch

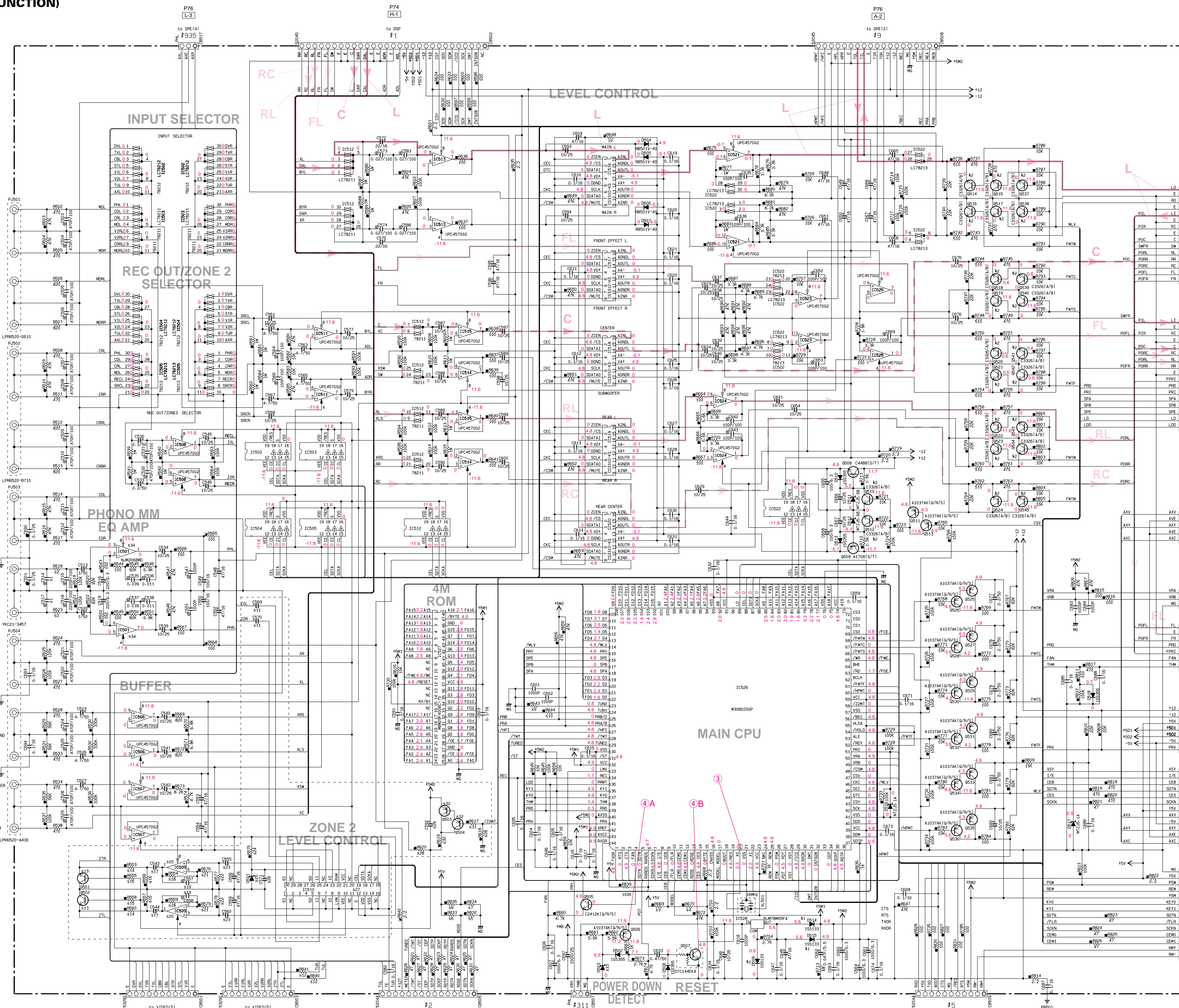
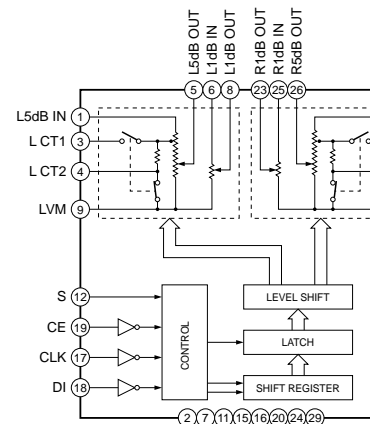


IC501: NJM2068MD-T1

IC506-509, 511, 513-515, 521, 523-525: μPC4570G2 Dual OP-Amp



IC510: LC7536-Y Electric Controlled Volume



CIRCUIT CHANGES BY MARKET. X: NOT USED

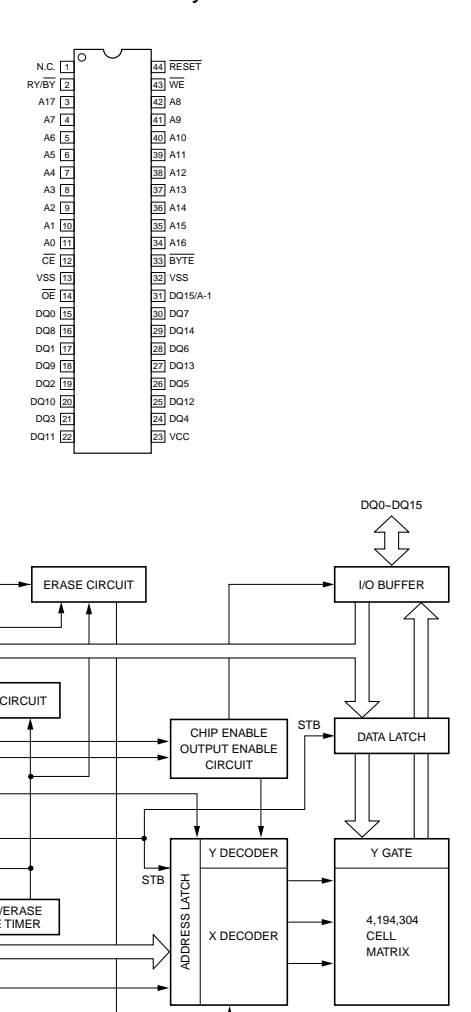
Table with 5 columns: Circuit No., U-C, R-T, A, and RES. It lists various components and their market availability for different regions.

Table with 5 columns: Circuit No., U-C, R-T, A, and RES. It lists various components and their market availability for different regions.

Table titled 'Other Parts' listing components like JY501-504, JY505, JY506-509, JY507-509, JY510-512, JY513, and JY514-516 with their corresponding part numbers.

Table titled 'Interchangeable Parts at Manufacture Stage' listing Mark, Reference Parts Number, and Parts Name.

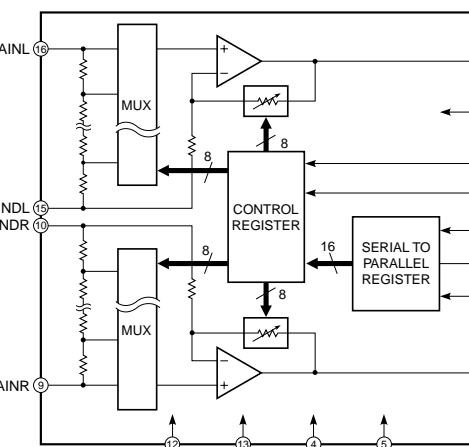
IC527: MBM29F400C-70 4M Bit Flash Memory



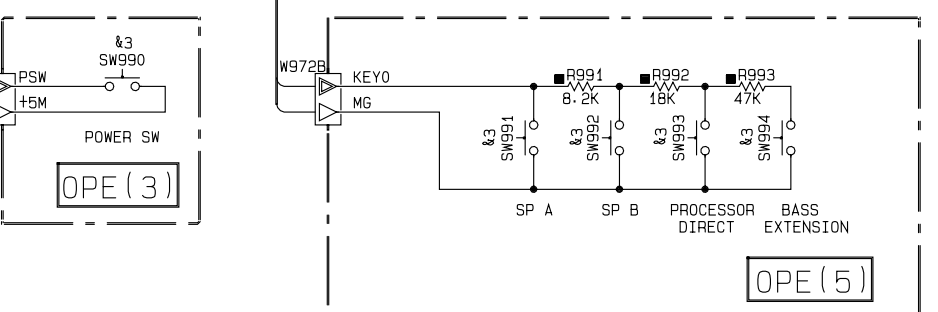
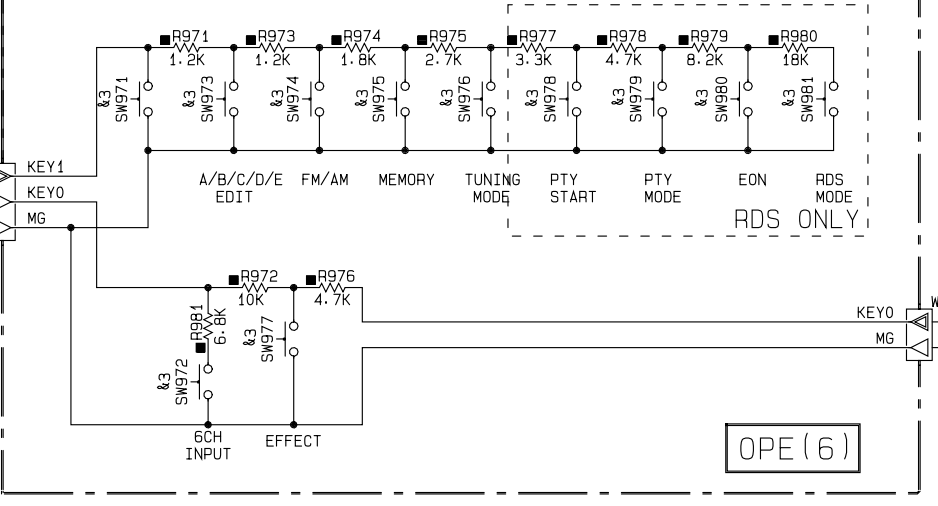
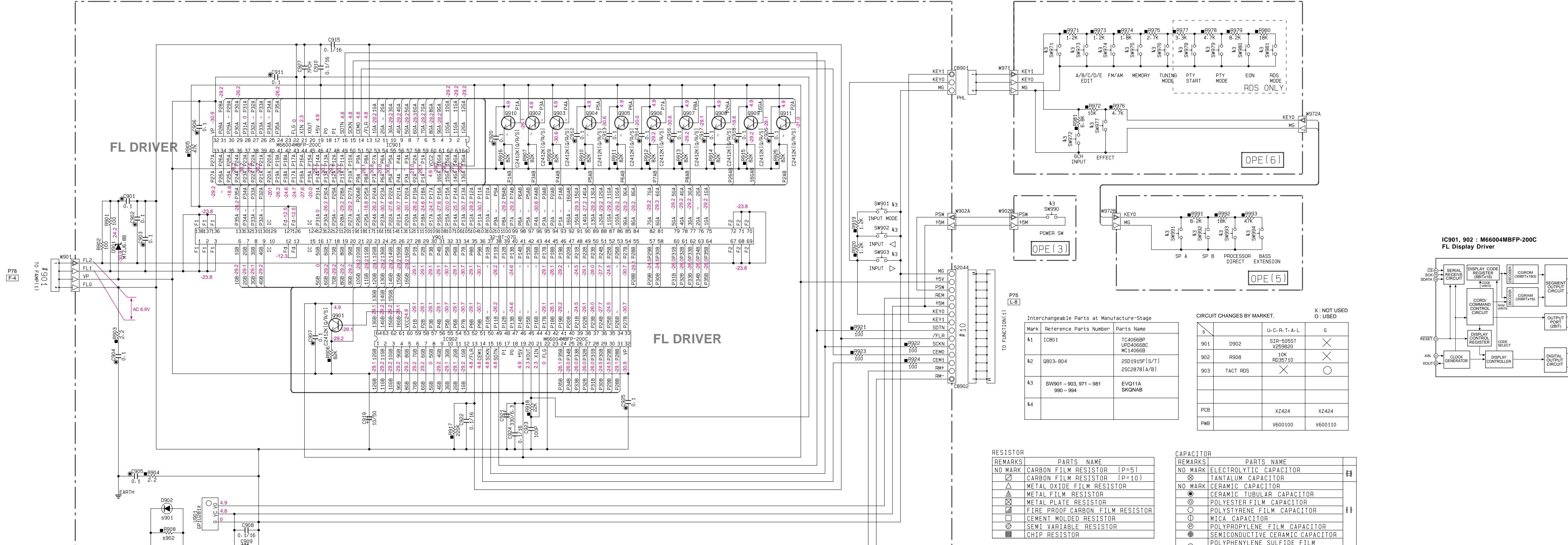
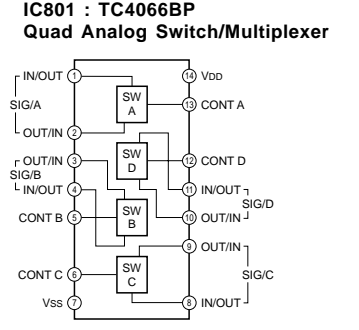
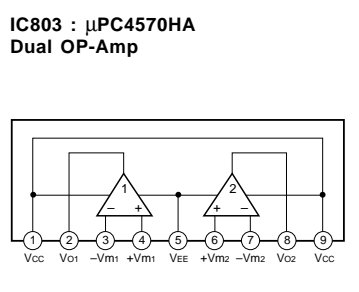
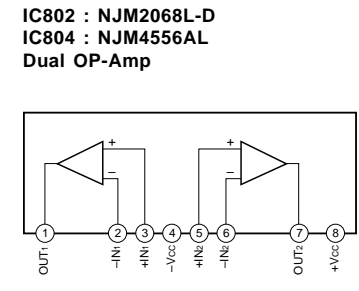
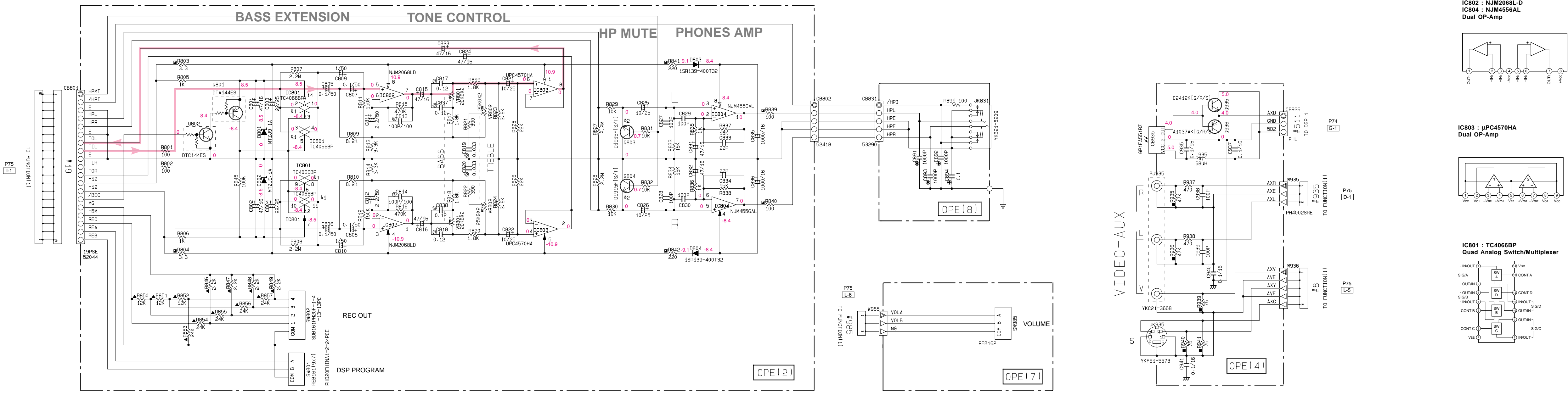
- Conditions
• INPUT: DVD auto
• PROGRAM: PRO LOGIC DSP

- All voltage are measured with a 10MΩ/V DC electric volt meter.
• Components having special characteristics are marked with a triangle and must be replaced with parts having specifications equal to those originally installed.
• Schematic diagram is subject to change without notice.

IC516-520: CS3310-KSR Stereo Digital Volume Control



■ SCHEMATIC DIAGRAM (OPERATION)

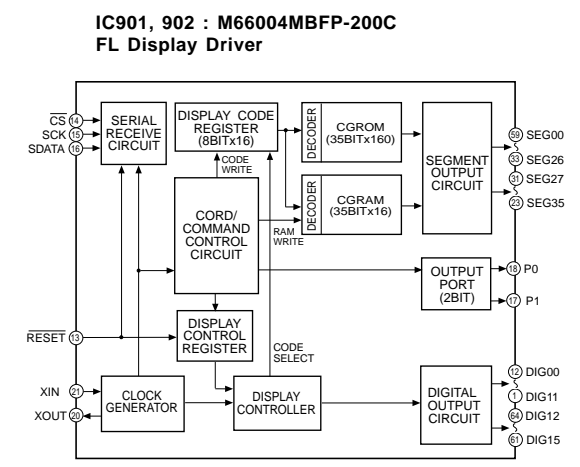


Interchangeable Parts at Manufacture-Stage

Mark	Reference Parts Number	Parts Name
K1	IC801	TC4066BP UP04666BC MC14066B
K2	Q803-Q804	2SD1915F(S/T1) 2SC2878(A/B)
K3	SW901-903, 971-981 990-994	EVO11A SKONAB
K4		

CIRCUIT CHANGES BY MARKET

s	U-C-R-T-A-L	G	
901	D902	SUR-505ST V250B02	×
902	R908	10K RD36710	×
903	TACT RDS		○



RESISTOR

REMARKS	PARTS NAME
NO MARK	CARBON FILM RESISTOR [D=5]
□	CARBON FILM RESISTOR [D=10]
△	METAL OXIDE FILM RESISTOR
▲	METAL FILM RESISTOR
■	FIRE PROOF CARBON FILM RESISTOR
□	CEMENT MOLDED RESISTOR
⊞	SEMI VARIABLE RESISTOR
⊠	CHIP RESISTOR

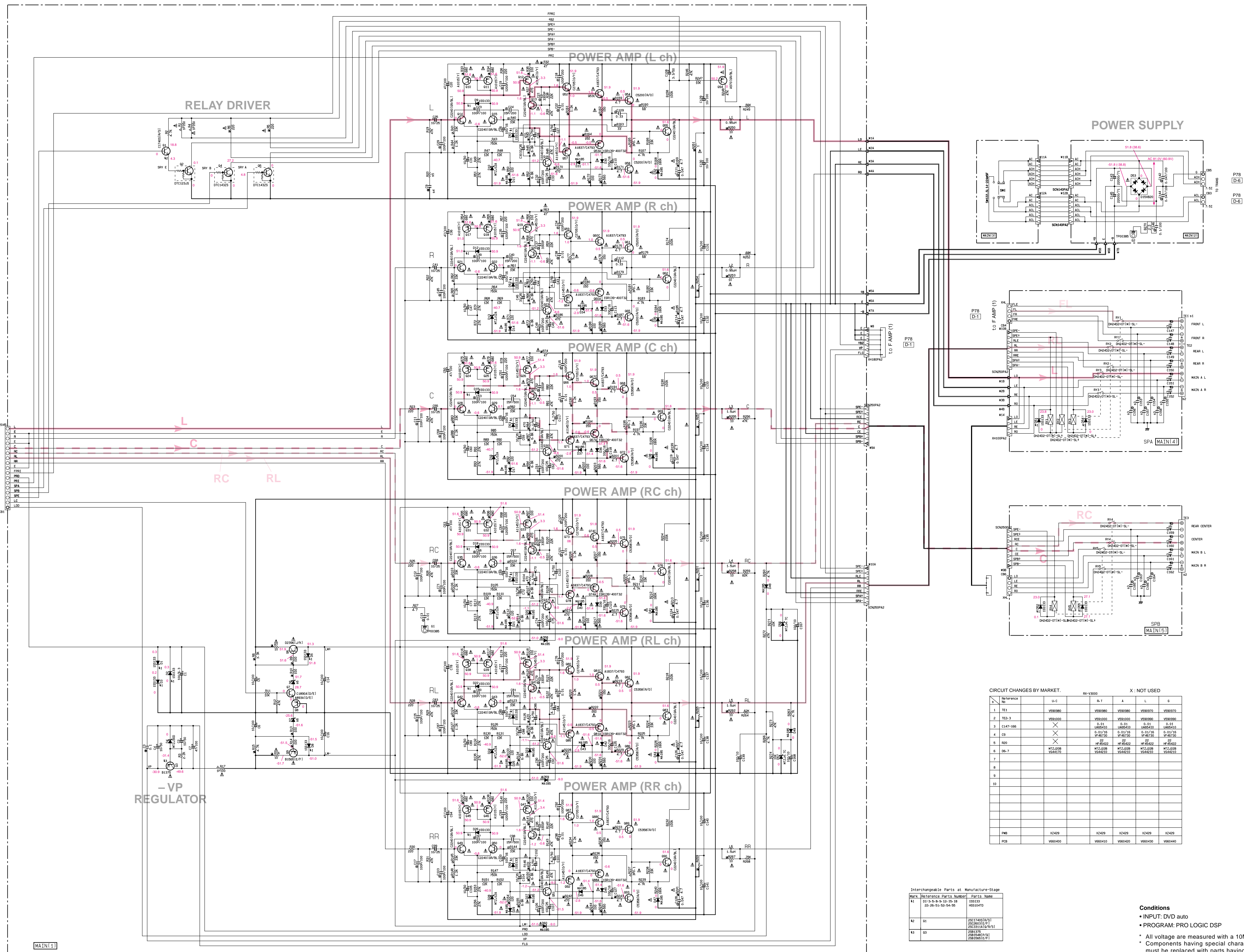
CAPACITOR

REMARKS	PARTS NAME
NO MARK	ELECTROLYTIC CAPACITOR
⊗	TANTALUM CAPACITOR
NO MARK	CERAMIC CAPACITOR
●	CERAMIC TUBULAR CAPACITOR
⊙	POLYESTER FILM CAPACITOR
○	POLYSTYRENE FILM CAPACITOR
⊖	MICA CAPACITOR
⊕	POLYPROPYLENE FILM CAPACITOR
⊗	SEMICONDUCTIVE CERAMIC CAPACITOR
⊙	POLYPHENYLENE SULFIDE FILM CAPACITOR

NOTICE (mode1)
 (J)..... JAPANESE
 (U)..... U.S.A
 (C)..... CANADIAN
 (R)..... GENERAL
 (A)..... AUSTRALIAN
 (B)..... BRITISH
 (G)..... EUROPEAN
 (L)..... CHINA
 (T)..... SINGAPORE

- Conditions
- INPUT: DVD auto
 - PROGRAM: PRO LOGIC DSP
 - All voltage are measured with a 10MΩ/V DC electric volt meter.
 - Components having special characteristics are marked with a triangle and must be replaced with parts having specifications equal to those originally installed.
 - Schematic diagram is subject to change without notice.

SCHEMATIC DIAGRAM (MAIN)



CIRCUIT CHANGES BY MARKET. X: NOT USED

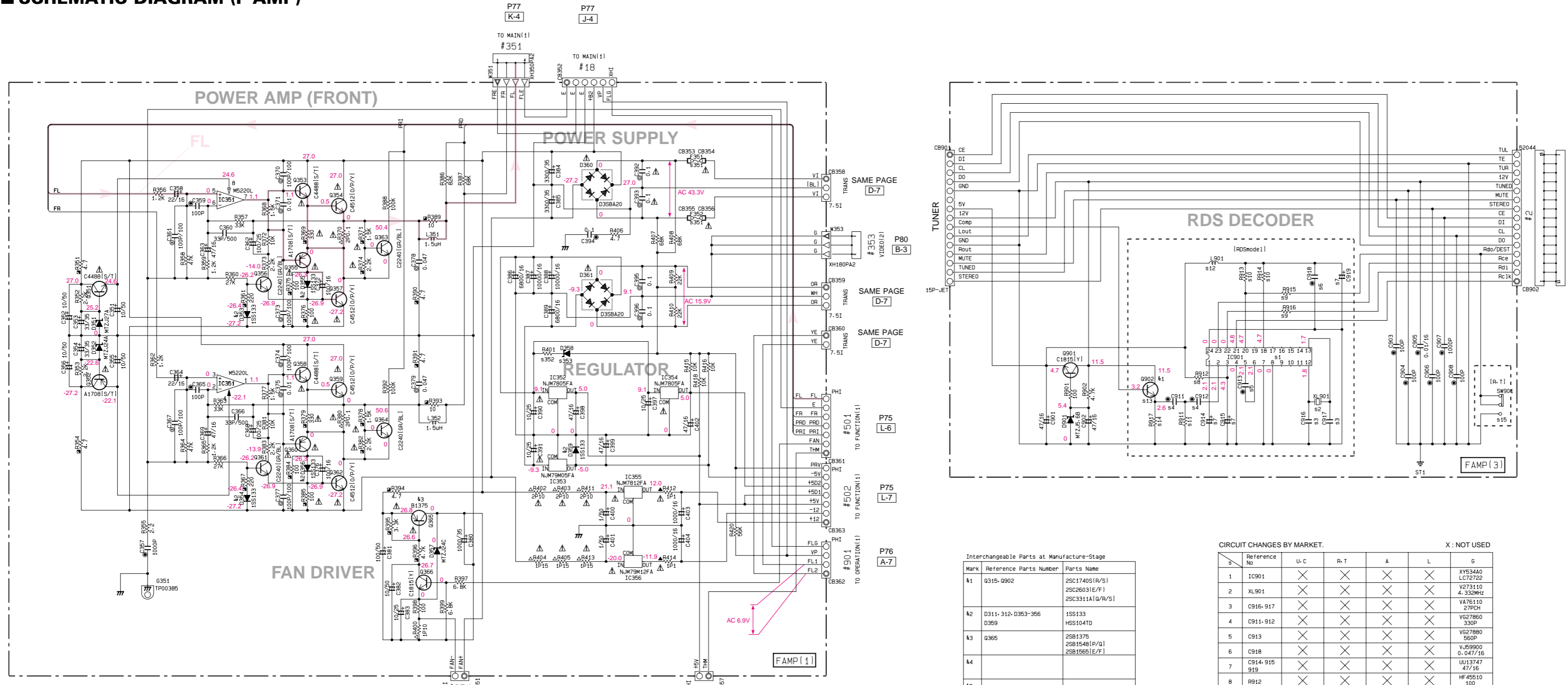
Reference No.	U-C	RU-V3000	SL-T	A	L	S
1	TE1	V590980	V590980	V590970	V590970	V590970
2	TE2-3	V591000	V591000	V591000	V590990	V590990
3	C147-196	X	W59110	W59110	W59110	W59110
4	C9	X	0.01/16	0.01/16	0.01/16	0.01/16
5	R20	X	W59102	W59102	W59102	W59102
6	DS-7	WT2-0208 V64417B	WT2-0208 V64417B	WT2-0208 V64417B	WT2-0208 V64417B	WT2-0208 V64417B
7						
8						
9						
10						
P7B	XZ429	XZ429	XZ429	XZ429	XZ429	XZ429
PCB	V650400	V650410	V650420	V650430	V650440	V650440

Interchangeable Parts at Manufacture-Stage

Part No.	Reference Part No.	Part Name
41	20-26-51-50-54-55	180134 H651047D
42	01	20C14021A/V1 20C14021B/V1 20C14021C/V1
43	03	20B1376 20B1401A/V1 20B1401B/V1

- Conditions
- INPUT: DVD auto
 - PROGRAM: PRO LOGIC DSP
 - All voltage are measured with a 10M Ω /V DC electric volt meter.
 - Components having special characteristics are marked Δ and must be replaced with parts having specifications equal to those originally installed.
 - Schematic diagram is subject to change without notice.

SCHEMATIC DIAGRAM (F AMP)



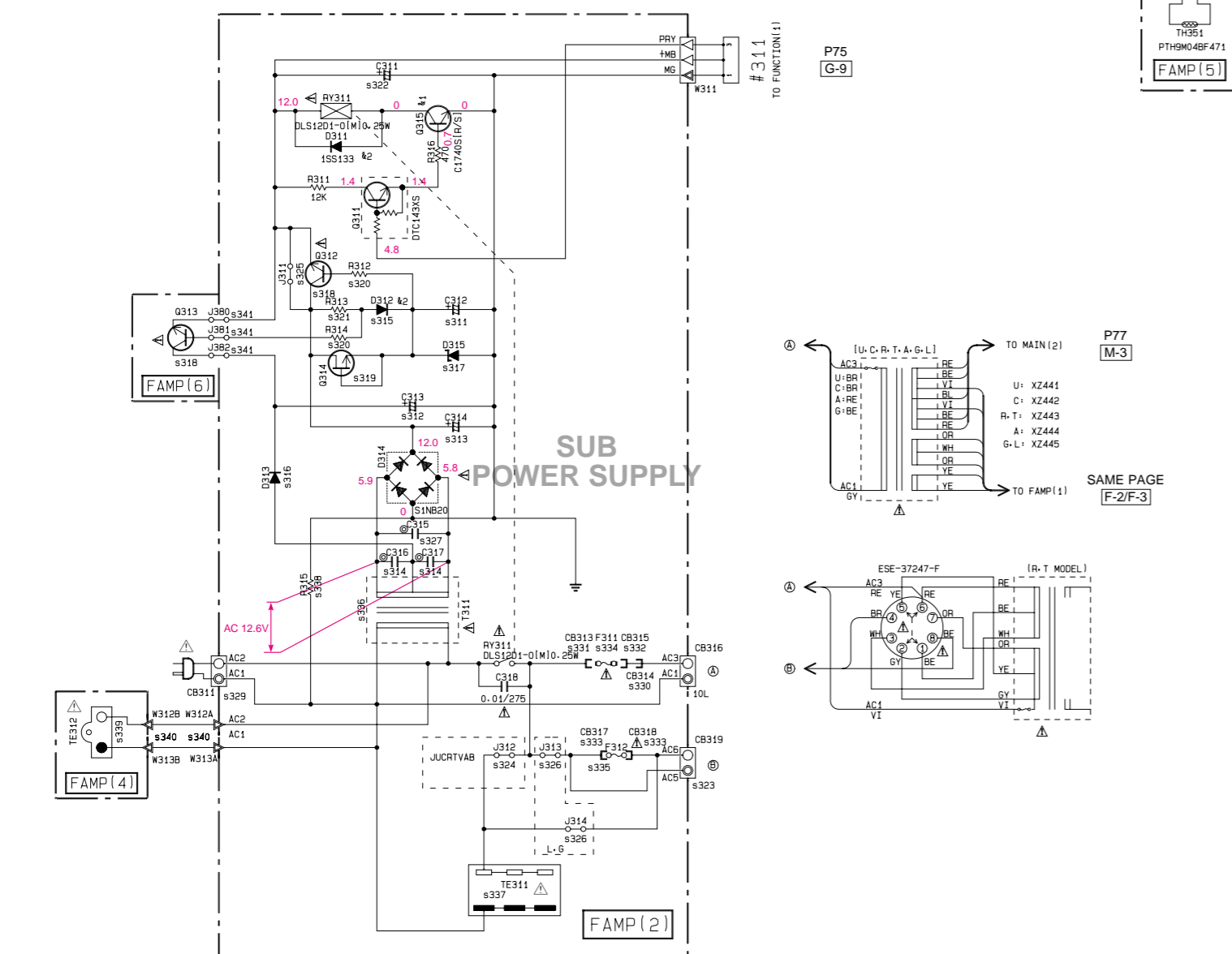
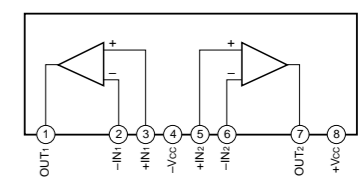
Interchangeable Parts at Manufacture-Stage

Mark	Reference Parts Number	Parts Name
K1	0315-0902	2SC1740S(R/S) 2SC2603(E/F) 2SC3311(A/G/R/S)
K2	0311-312-0363-356 0369	1SS133 HSS104TD
K3	0365	2SB1375 2SB1548(P/G) 2SB1965(E/F)
K4		
K5		

CIRCUIT CHANGES BY MARKET

Mark	Reference No	U-C	R-T	A	L	G
1	IC901	X			X	YV53440 LC72722
2	XL901	X	X	X	X	V273140 4-330MHz
3	C916-947	X	X	X	X	VA76110 27PCH
4	C911-912	X	X	X	X	V627860 330P
5	C913	X	X	X	X	V627860 560P
6	C918	X	X	X	X	VJ59900 0.047/16
7	C914-915 919	X	X	X	X	UJ13747 47/16
8	R912	X	X	X	X	HF45510 10K
9	R915-916	X	X	X	X	HF45547 470
10	R913-914	X	X	X	X	HF45710 10K
11	R911	X	X	X	X	HF45722 20K
12	L901	X	X	X	X	V154610 200µH
13	9902	X	X	X	X	IC17402 C1740S(R/S)
14	R917	X	X	X	X	HF45633 3.3K
15	SW901	X	X	VF54120	X	

IC351 : M5220L Dual OP-Amp



CIRCUIT CHANGES BY MARKET

Reference No	U-C	R-T	A	L	G
311	C312	X	UJ14710 10/25	X	X
312	C313	X	UJ16710 10/50	X	X
313	C314	X	UJ19747 47/500	X	X
314	C316-317	X	0.01 V171670	X	X
315	D312	X	TP0466 1SS133	X	X
316	D313	X	VJ26410 SBL39-400132	X	X
317	D315	X	VJ43990 MT2151B	X	X
318	D312-313	X	VF0180 D23961(J/K)	X	X
319	D314	X	IE10262 K3461(V)	X	X
320	R312-314	X	HF45510 100	X	X
321	R313	X	HF45710 10K	X	X
322	C311	X	UJ14710 10/25	UJ14710 10/25	UJ14710 10/25
323	CB319	X	LA0244 10K	X	X
324	J912	O	O	O	O
325	J911	O	X	O	O
326	J913-314	X	X	X	X
327	C315	O	0.01 V171670	0.01 V171670	0.01 V171670
328					
329	CB311	X	V687990 V687990	X	X
330	CB314	X	V599610 V599610	X	X
331	CB313	X	V599610 VP20650	VP20650	VP20650
332	CB315	X	VP20650	VP20650	VP20650
333	CB317-318	X	VP20650	VP20650	VP20650
334	F311	X	K800139 10A250V	K800078 T5AL250	K800078 T5AL250
335	F312	X	K800078 T5AL250V	VF4290 T2-5A/250V	VF4290 T2-5A/250V
336	F311	X	X2228 X2229	X2231 X2231	X2231 X2231
337	TE311	X	V11880 SP-7631-212	V191500 SP-7731-210	V11900 SP-7631-212
338	R315	X	K200511 1/2P2-2M	X	X
339	TE312	X	V656120 M1908-C	V656120 M1908-C	V656120 M1908-C
340	*312-313	X	V656950	X	V656950
341	J380-382	X	O	X	X
342					
351	F351-352	X	5A 125V K800364	5A 250V K800324	5A 250V K800324
352	R401	X	1K HF45510	X	X
353	D358	X	MT2159 V6440B	X	X
901	RDS MODEL	X	X	X	O

REMARKS

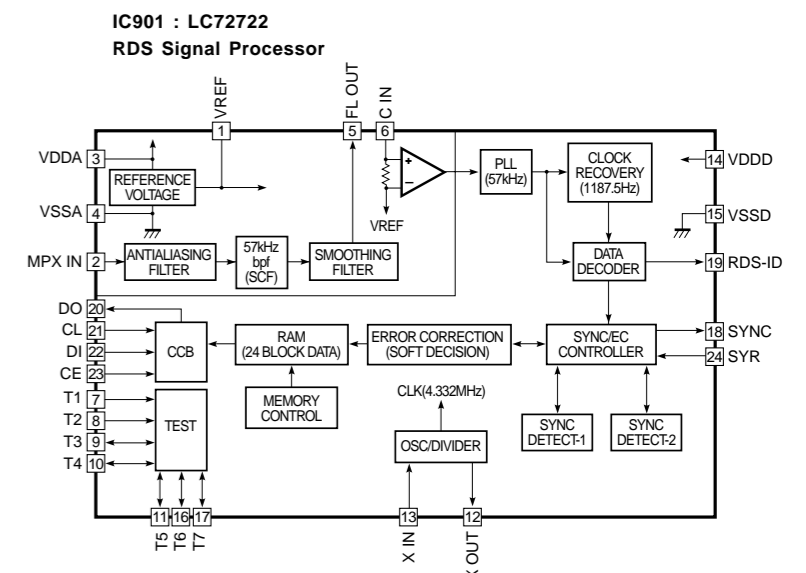
NO MARK	PARTS NAME
NO MARK	ELECTROLYTIC CAPACITOR
NO MARK	TANTALUM CAPACITOR
NO MARK	CERAMIC CAPACITOR
●	CERAMIC TUBULAR CAPACITOR
○	POLYESTER FILM CAPACITOR
○	POLYSTYRENE FILM CAPACITOR
○	MICA CAPACITOR
○	POLYPROPYLENE FILM CAPACITOR
○	SEMICONDUCTIVE CERAMIC CAPACITOR
○	POLYPHENYLENE SULFIDE FILM CAPACITOR

REMARKS

NO MARK	PARTS NAME
NO MARK	CARBON FILM RESISTOR (P=5)
NO MARK	CARBON FILM RESISTOR (P=10)
△	METAL OXIDE FILM RESISTOR
△	METAL FILM RESISTOR
△	METAL PLATE RESISTOR
△	FINE PROOF CARBON FILM RESISTOR
□	CEMENT MOLDED RESISTOR
○	SEMI VARIABLE RESISTOR
■	CHIP RESISTOR

NOTICE (model)

(J)..... JAPANESE
 (U)..... U.S.A
 (C)..... CANADIAN
 (R)..... GENERAL
 (A)..... AUSTRALIAN
 (B)..... BRITISH
 (G)..... EUROPEAN
 (T)..... CHINA
 (L)..... SINGAPORE

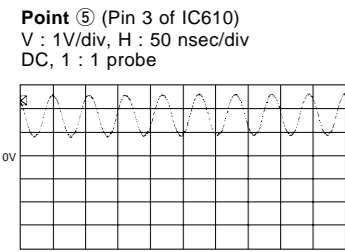


Conditions

- INPUT: DVD auto
- PROGRAM: PRO LOGIC DSP

All voltage are measured with a 10MΩ/DC electric volt meter.
 Components having special characteristics are marked Δ and must be replaced with parts having specifications equal to those originally installed.
 Schematic diagram is subject to change without notice.

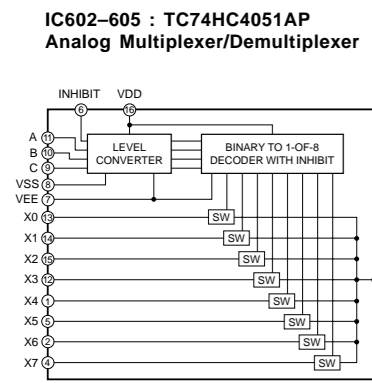
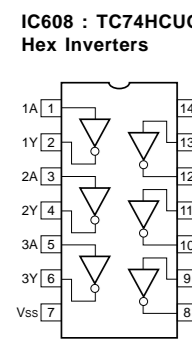
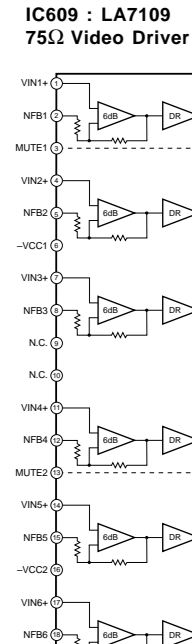
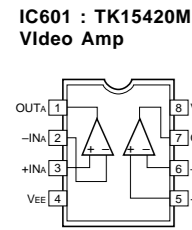
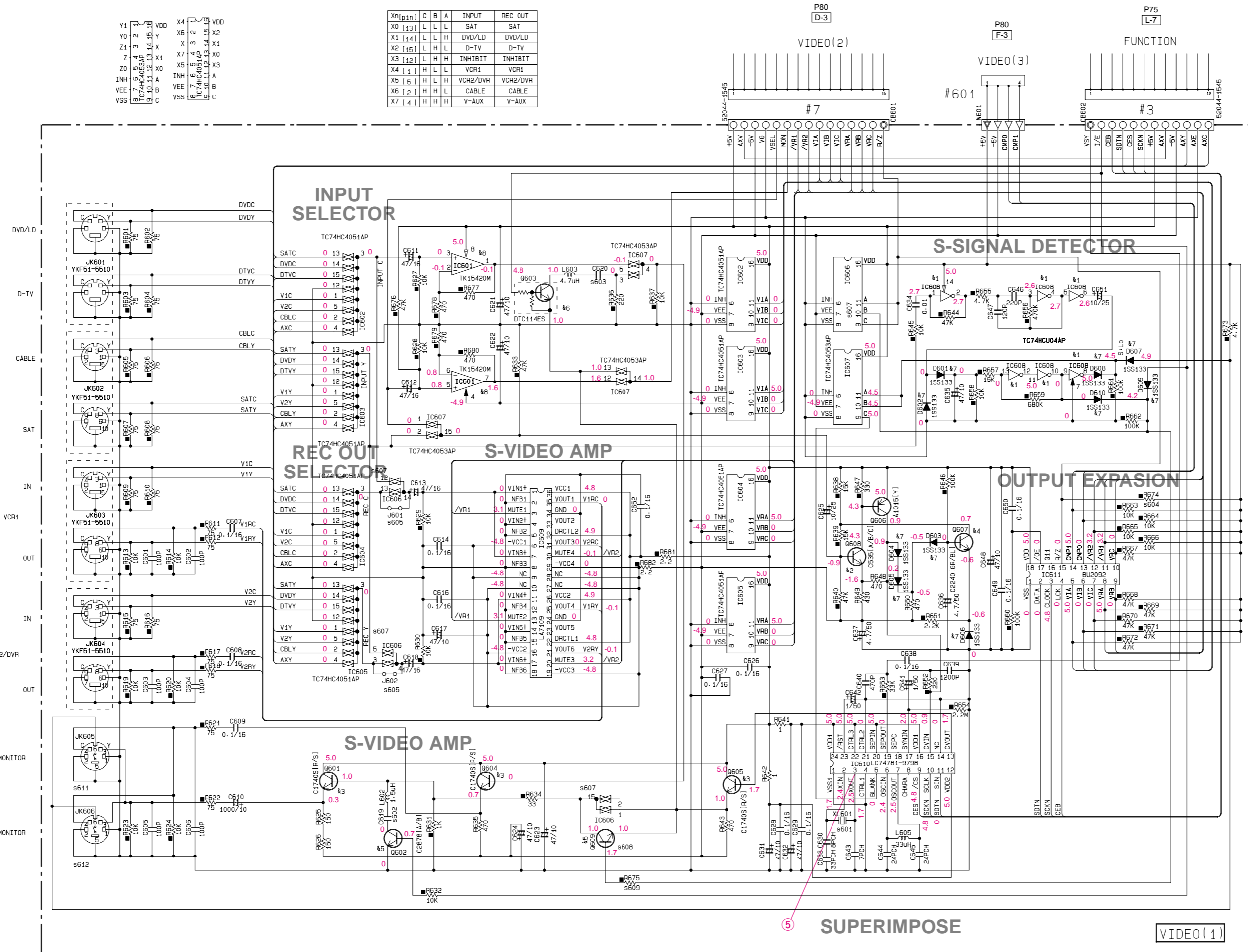
SCHEMATIC DIAGRAM (VIDEO 1/2)



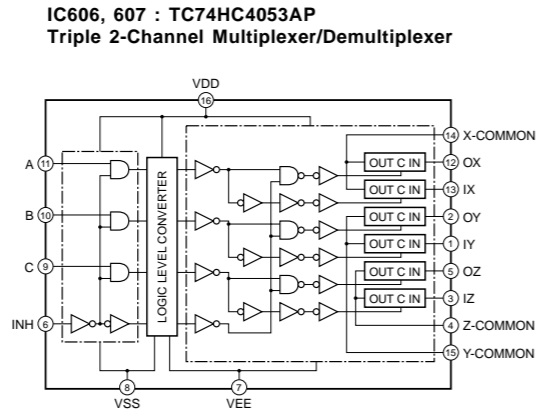
C	B	A
H	Z1	Y1
L	Z0	X0

Y1	Y0	Z1	Z0	INH	VEE	VSS
X4	X3	X2	X1	X0	A	B
VDD	X6	X5	X4	X3	C	

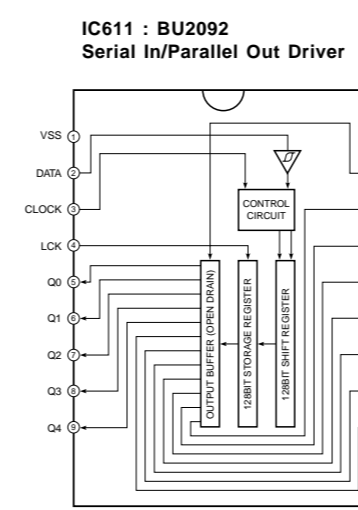
Xn[pin]	C	B	A	INPUT	REC OUT
X0 [13]	L	L	L	SAT	SAT
X1 [14]	L	H	L	DVD/LD	DVD/LD
X2 [15]	L	H	L	D-TV	D-TV
X3 [12]	L	H	H	IHW/ISIT	IHW/ISIT
X4 [11]	H	L	L	VCR1	VCR1
X5 [6]	H	L	H	VCR2/DVR	VCR2/DVR
X6 [2]	H	L	H	CABLE	CABLE
X7 [4]	H	H	H	V-AUX	V-AUX



INPUT STATES	ON CHANNEL (S)
0 0 0 0	0
0 0 0 1	1
0 0 1 0	2
0 0 1 1	3
0 1 0 0	4
0 1 0 1	5
0 1 1 0	6
0 1 1 1	7
1 X X X	NONE



CONTROL INPUTS	ON CHANNEL
INHIBIT (Pin 9)	0X (Pin 10), 0Y (Pin 11), 0Z (Pin 12)
CLOCK (Pin 10)	1X (Pin 13), 1Y (Pin 14), 1Z (Pin 15)
L (Pin 11)	0X, 0Y, 0Z
L (Pin 12)	1X, 1Y, 1Z
L (Pin 13)	0X, 0Y, 1Z
L (Pin 14)	1X, 0Y, 1Z
L (Pin 15)	0X, 1Y, 1Z
L (Pin 16)	1X, 1Y, 0Z
H (Pin 17)	0X, 0Y, 1Z
H (Pin 18)	1X, 0Y, 1Z
H (Pin 19)	0X, 1Y, 1Z
H (Pin 20)	1X, 1Y, 0Z



RESISTOR

REMARKS	PARTS NAME
NO MARK	CARBON FILM RESISTOR (P=5)
□	CARBON FILM RESISTOR (P=10)
△	METAL OXIDE FILM RESISTOR
▲	METAL FILM RESISTOR
■	METAL PLATE RESISTOR
⊠	FIRE PROOF CARBON FILM RESISTOR
⊞	CEMENT MOLDED RESISTOR
⊚	SEMI VARIABLE RESISTOR
⊙	CHIP RESISTOR

CAPACITOR

REMARKS	PARTS NAME
NO MARK	ELECTROLYTIC CAPACITOR
⊗	TANTALUM CAPACITOR
NO MARK	CERAMIC CAPACITOR
⊙	CERAMIC TUBULAR CAPACITOR
⊖	POLYESTER FILM CAPACITOR
⊕	POLYSTYRENE FILM CAPACITOR
⊖	MICA CAPACITOR
⊕	POLYPROPYLENE FILM CAPACITOR
⊖	SEMICONDUCTIVE CERAMIC CAPACITOR
⊕	POLYPHENYLENE SULFIDE FILM CAPACITOR

NOTICE (mode1)
 (J)..... JAPANESE
 (U)..... U.S.A.
 (C)..... CANADIAN
 (R)..... GENERAL
 (A)..... AUSTRALIAN
 (B)..... BRITISH
 (G)..... EUROPEAN
 (T)..... CHINA
 (L)..... SINGAPORE

Interchangeable Parts at Manufacture-Stage

Mark	Reference Parts Number	Parts Name
k1	IC608	IC74HC04AP SN74HC04N MC74HC04N
k2	6068	25C5351A/B/C1 25C18091N/P1
k3	6061-604-605-701	25C17403[R/S] 25C2603[E/A] 25C3314[A/R/S]
k4	6067	25C2240[GR/BL] 25C2909[S/T1]
k5	6062-609	25C2878[A/B] 25D1919F[S/T1]
k6	6063	DT114ES UN4211 DT114ESA
k7	D601-602-603-604-605-606-607-608-609-610-951	15S133 HSS104TD
k8	IC601	TK15420M AD6058AR
k9		
k10		
k11		
k12		

CIRCUIT CHANGES BY MARKET. X : NOT USED

s	Parts Number	U-C-R-T	A+L	G
601	XL601	14.31818MHz V934999	17.734475MHz V934999	17.734475MHz V934999
602	C619	1500P US06315	820P US06282	820P US06282
603	C620	390P US06329	270P US06327	270P US06327
604	R674	47K RD35747	47K RD35747	X
605	J601-602	X	X	RD35000
606				
607	IC606	TC74HC4053AP IR40530	TC74HC4053AP IR40530	X
608	6069	X	X	C28781A/B1 IC28782
609	R675	X	X	10K RD35710
610				
611	JK605	X	X	YKFB1-5507 V956040
612	JK606	YKFB1-5507 V956040	YKFB1-5507 V956040	X
701				
702	R713	75 RD35475	75 RD35475	X
703	R714	10K RD35710	10K RD35710	X
704	C704	100P US06210	100P US06210	X
705	C711	4710 UR62747	4710 UR62747	X
706	IC704	TC74HC4053AP IR40530	TC74HC4053AP IR40530	X
707	J703	X	X	RD35000
708	R579, 682	470 HF45547	470 HF45547	X
709	C567, 568	470P/100 LP65247	470P/100 LP65247	X
710	PJ705	YK21-3111 VJ69590	YK21-3111 VJ69590	YK21-3165 YH11010
711	J701	X	X	YM60000
712	J702	YM60000	YM60000	X
751				
752				
753				
754				
755				
551				
952	PJ554	LPR6520-9720 V385610	LPR6520-9720 V385610	LPR6520-9610 V385660
951	JK951-952-953	VJ72680	VJ72680	X
952	D951	15S133 IF00460	15S133 IF00460	X
953	R958	IP100 YP94040	IP100 YP94040	X

Conditions
 • INPUT: DVD auto
 • PROGRAM: PRO LOGIC DSP
 * All voltage are measured with a 10MΩ/V DC electric volt meter.
 * Components having special characteristics are marked △ and must be replaced with parts having specifications equal to those originally installed.
 * Schematic diagram is subject to change without notice.

SCHEMATIC DIAGRAM (VIDEO 2/2)

RESISTOR

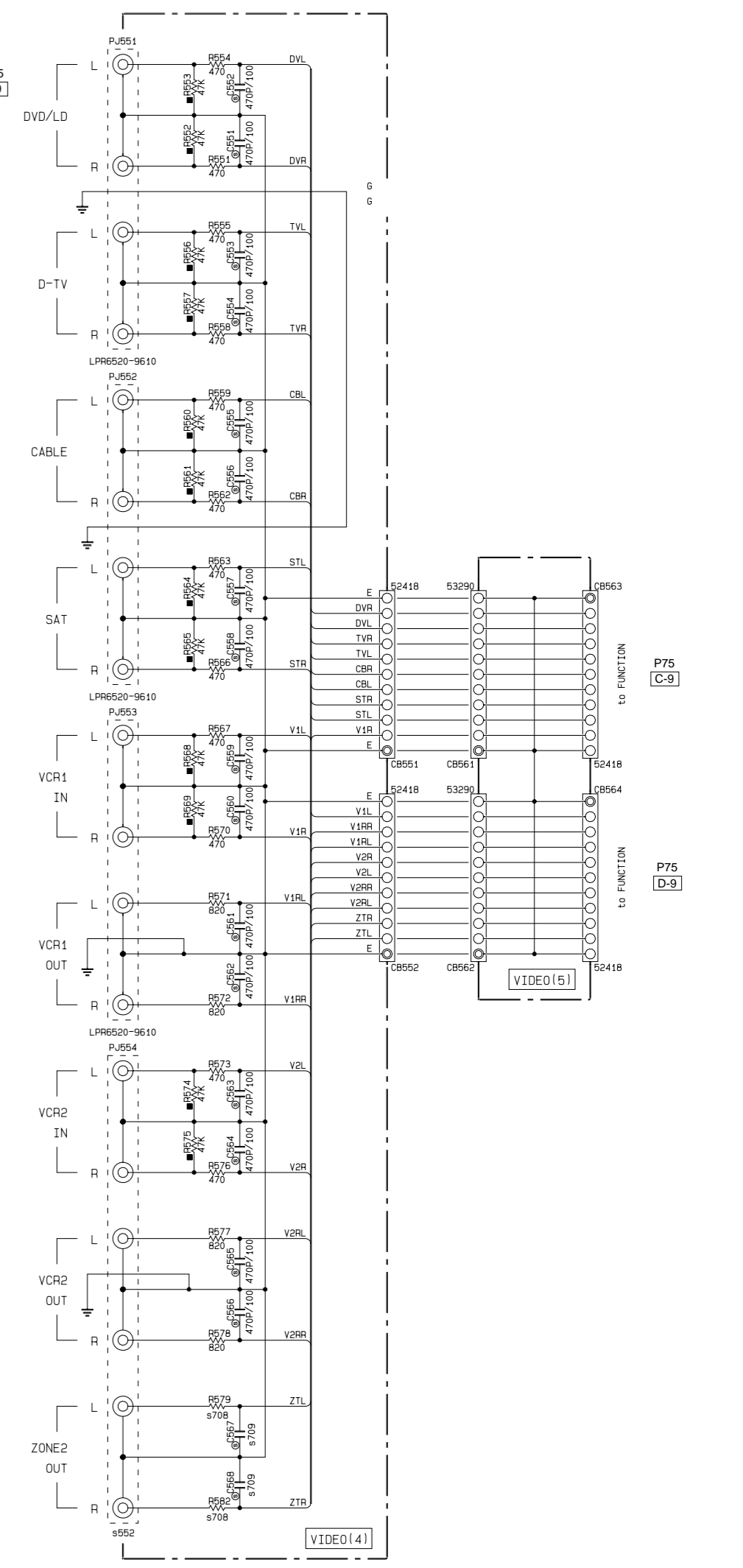
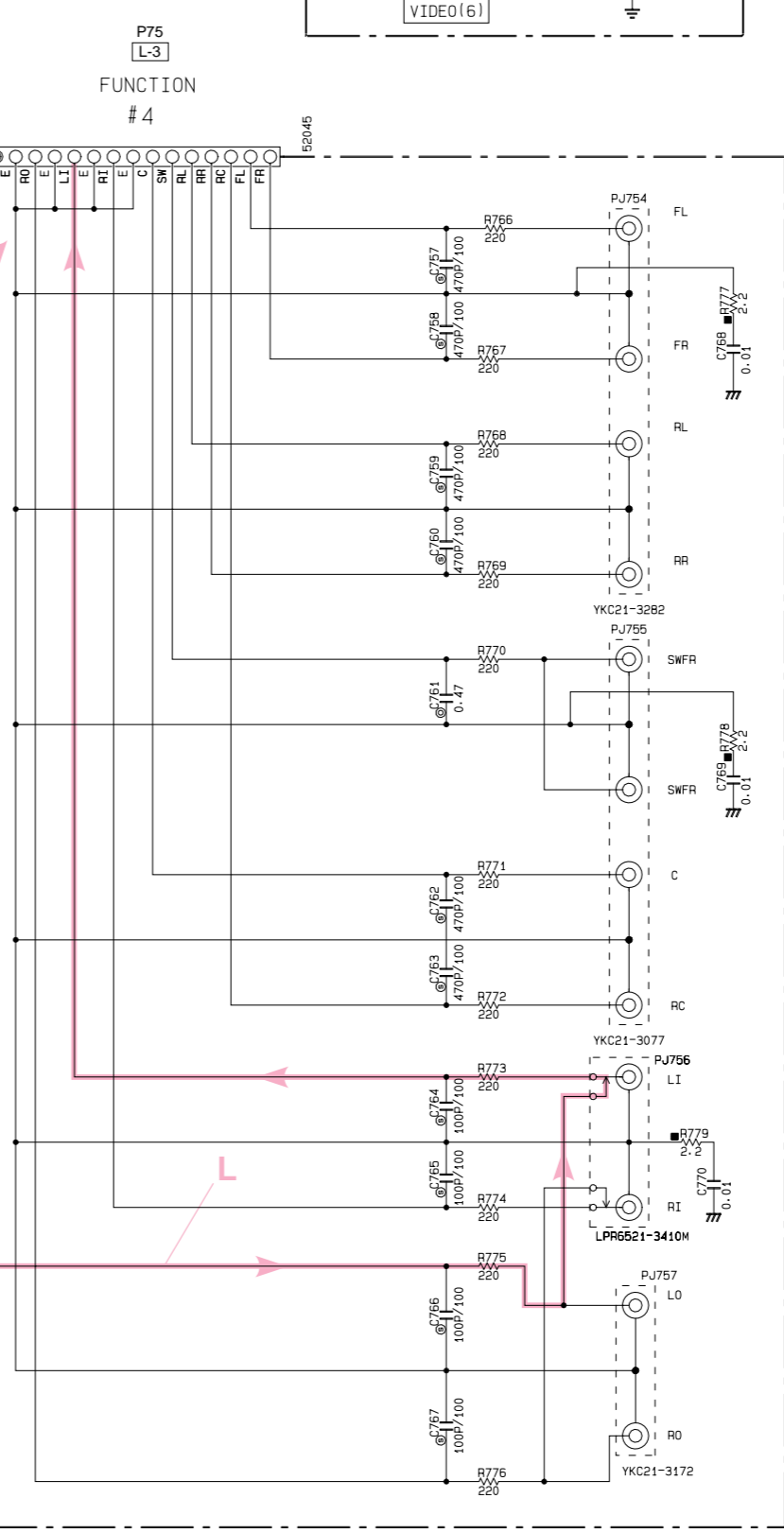
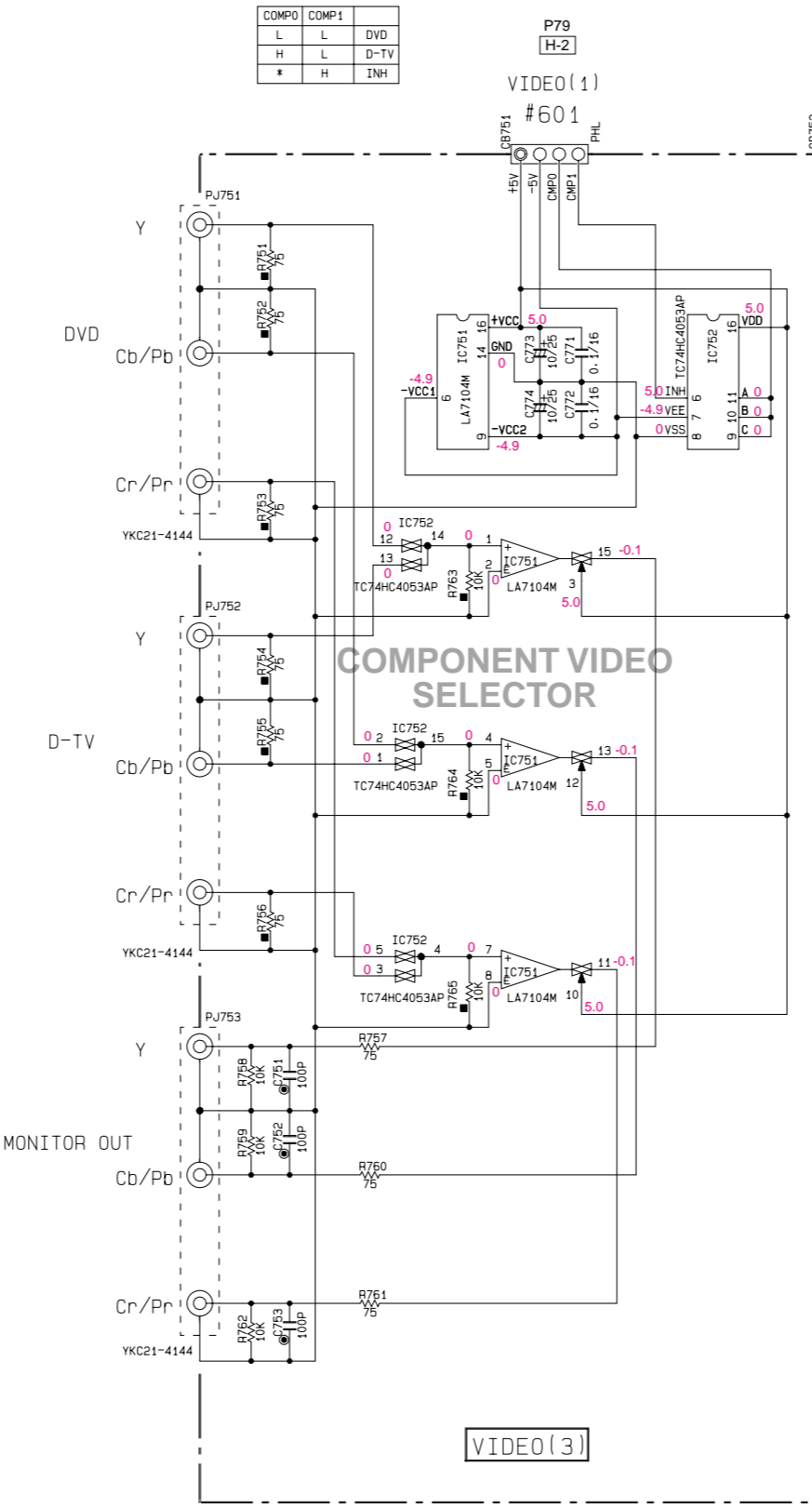
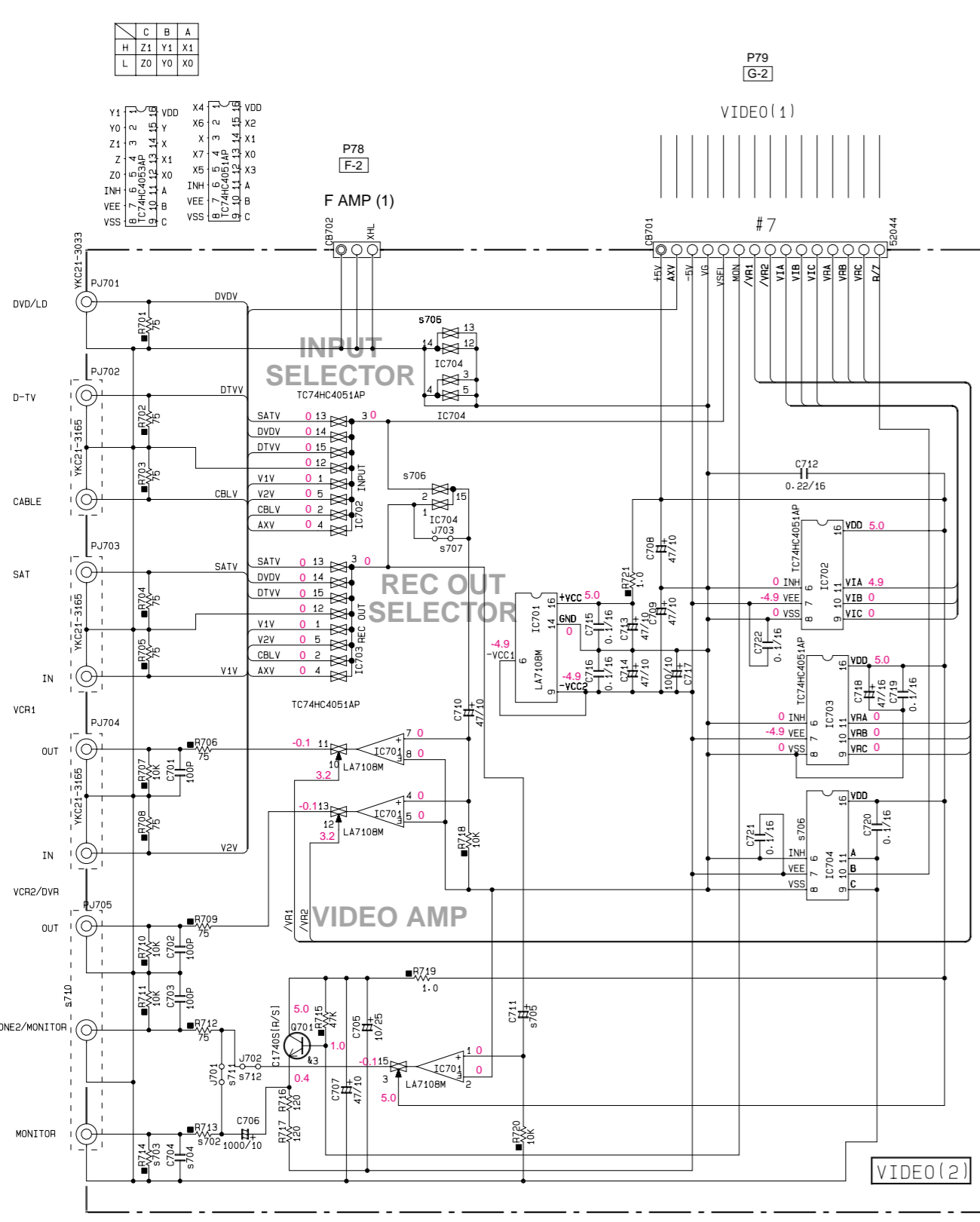
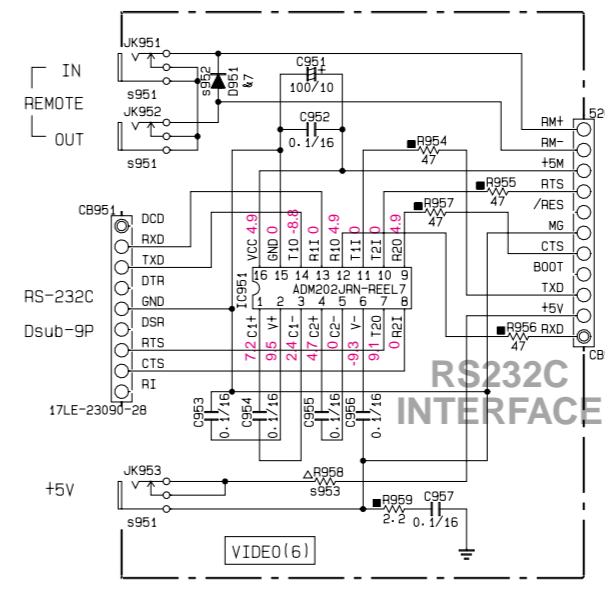
REMARKS	PARTS NAME
NO MARK	CARBON FILM RESISTOR (P=5)
□	CARBON FILM RESISTOR (P=10)
△	METAL OXIDE FILM RESISTOR
◇	METAL FILM RESISTOR
▢	METAL PLATE RESISTOR
■	FIRE PROOF CARBON FILM RESISTOR
▤	CEMENT MOLDED RESISTOR
▥	SEMI VARIABLE RESISTOR
▧	CHIP RESISTOR

CAPACITOR

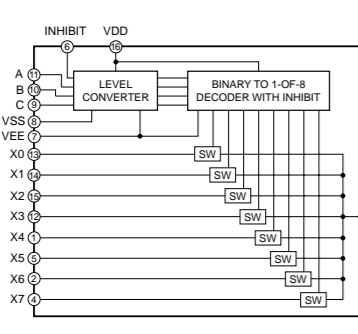
REMARKS	PARTS NAME
NO MARK	ELECTROLYTIC CAPACITOR
□	TANTALUM CAPACITOR
NO MARK	CERAMIC CAPACITOR
○	CERAMIC TUBULAR CAPACITOR
⊙	POLYESTER FILM CAPACITOR
⊚	POLYSTYRENE FILM CAPACITOR
⊛	MICA CAPACITOR
⊜	POLYPROPYLENE FILM CAPACITOR
⊝	SEMICONDUCTIVE CERAMIC CAPACITOR
⊞	POLYPHENYLENE SULFIDE FILM CAPACITOR

NOTICE (mode1)
 (J)..... JAPANESE
 (U)..... U.S.A
 (C)..... CANADIAN
 (R)..... GENERAL
 (A)..... AUSTRALIAN
 (B)..... BRITISH
 (G)..... EUROPEAN
 (T)..... CHINA
 (L)..... SINGAPORE

X0	X1	X2	X3	X4	X5	X6	X7	INPUT	REC OUT
[13]	[14]	[15]	[12]	[11]	[6]	[2]	[4]	SAT	SAT
[L]	[L]	[L]	[L]	[L]	[L]	[L]	[L]	DVD/LD	DVD/LD
[L]	[L]	[L]	[L]	[L]	[L]	[L]	[L]	D-TV	D-TV
[L]	[L]	[L]	[L]	[L]	[L]	[L]	[L]	INHIBIT	INHIBIT
[L]	[L]	[L]	[L]	[L]	[L]	[L]	[L]	VCR1	VCR1
[L]	[L]	[L]	[L]	[L]	[L]	[L]	[L]	VCR2/DVR	VCR2/DVR
[L]	[L]	[L]	[L]	[L]	[L]	[L]	[L]	CABLE	CABLE
[L]	[L]	[L]	[L]	[L]	[L]	[L]	[L]	V-AUX	V-AUX

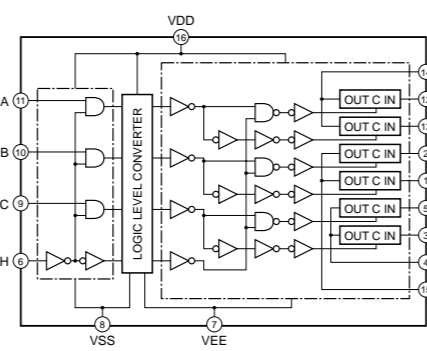


IC702, 703 : TC74HC4051AP Analog Multiplexer/Demultiplexer



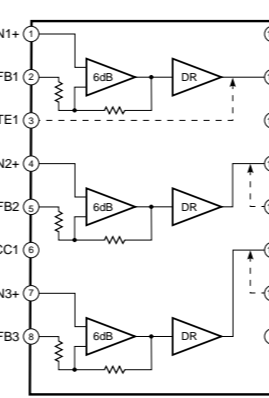
INPUT STATES		'ON' CHANNEL (S)	
INHIBIT	C B A	0	1
0	0 0 0	0	1
0	0 0 1	0	2
0	0 1 0	0	3
0	0 1 1	0	4
0	1 0 0	0	5
0	1 0 1	0	6
0	1 1 0	0	7
0	1 1 1	0	8
1	X X X	X	X

IC704, 752 : TC74HC4053AP Triple 2-Channel Multiplexer/Demultiplexer

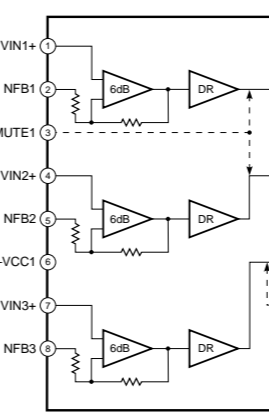


CONTROL INPUTS		'ON' CHANNEL	
INHIBIT	C B A	0X (Pin 12), 0Y (Pin 2), 0Z (Pin 5)	0X (Pin 12), 0Y (Pin 2), 0Z (Pin 5)
0	0 0 0	0X, 0Y, 0Z	0X, 0Y, 0Z
0	0 0 1	0X, 0Y, 0Z	0X, 0Y, 0Z
0	0 1 0	0X, 0Y, 0Z	0X, 0Y, 0Z
0	0 1 1	0X, 0Y, 0Z	0X, 0Y, 0Z
0	1 0 0	0X, 0Y, 0Z	0X, 0Y, 0Z
0	1 0 1	0X, 0Y, 0Z	0X, 0Y, 0Z
0	1 1 0	0X, 0Y, 0Z	0X, 0Y, 0Z
0	1 1 1	0X, 0Y, 0Z	0X, 0Y, 0Z
1	X X X	X	X

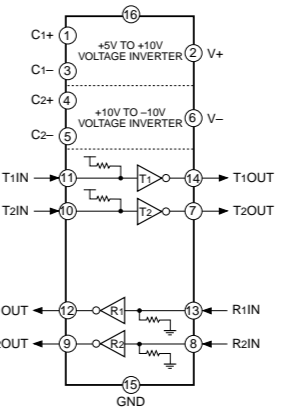
IC701 : LA7108M-TLM 75Ω Video Driver



IC751 : LA7104M Double Scart Interface



IC951 : HIN202ECBN-T RS-232 Line Drive/Receiver



- Conditions
- INPUT: DVD auto
 - PROGRAM: PRO LOGIC DSP
 - All voltage are measured with a 10MΩ/V DC electric volt meter.
 - Components having special characteristics are marked △ and must be replaced with parts having specifications equal to those originally installed.
 - Schematic diagram is subject to change without notice.